

INTERNAL HEXAGON UNIVERSAL CONNECTION

UNIVERSAL PROSTHETICS



universal prosthetics

20Ncm 



Pilastro di Guarigione - Titanio Gr. 5 - Anodizzato

Healing Abutment - Titanium Gr. 5 - Anodized

IP 4HA2-W H 2 mm - **CPS** Standard Gingival Profile

IP 4HA4-W H 4 mm - **CPS** Standard Gingival Profile

IP 4HA6-W H 6 mm - **CPS** Standard Gingival Profile

DM 1/2

Standard Hexagonal Driver

20Ncm 



Pilastro di Guarigione - Titanio Gr. 5 - Anodizzato

Healing Abutment - Titanium Gr. 5 - Anodized

IP 4HA2 H 2 mm - Standard Gingival Profile

IP 4HA4 H 4 mm - Standard Gingival Profile

IP 4HA6 H 6 mm - Standard Gingival Profile

DM 1/2

Standard Hexagonal Driver

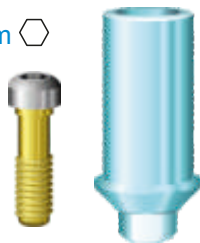


Analogo per Laboratorio - Titanio Gr. 5 - Anodizzato

Laboratory Analog - Titanium Gr. 5 - Anodized

IP 4AL H 12 mm - Universal Shape

10Ncm 



Moncone Calcinabile CPS - Acrilico

CPS Castable Abutment - Acrylic

IP 4CA-W Antirotation Hex - **CPS** Standard Gingival Profile

IP 4CR-W Rotating - **CPS** Standard Gingival Profile

IP VITG

Vite di Ricambio Gold - Gold Spare Screw

DM 1/2

Standard Hexagonal Driver

10Ncm 



Moncone Calcinabile - Acrilico

Castable Abutment - Acrylic

IP 4CA Antirotation Hex - Standard Gingival Profile

IP 4CR Rotating - Standard Gingival Profile

IP VITG

Vite di Ricambio Gold - Gold Spare Screw

DM 1/2

Standard Hexagonal Driver

universal prosthetics

Pilastro Temporaneo da Incollaggio - Titanio Gr. 5

Temporary Glueing Abutment - Titanium Gr. 5

IP 4TA-W Antirotation Hex - **CPS** Standard Gingival Profile

IP 4TR-W Rotating - **CPS** Standard Gingival Profile

IP VITG Vite di Ricambio Gold - Gold Spare Screw

DM 1/2 Standard Hexagonal Driver



Pilastro Temporaneo da Saldatura - Titanio Gr. 5

Temporary Welding Abutment - Titanium Gr. 5

IP 4TR-S Rotating - **CPS** Standard Gingival Profile

IP VITG Vite di Ricambio Gold - Gold Spare Screw

DM 1/2 Standard Hexagonal Driver



Moncone Provvisorio Estetico - PEEK Medica

Aesthetic Temporary Abutment - Medical PEEK

IP 4PA Antirotation Hex - Standard Gingival Profile

IP VITG Vite di Ricambio Gold - Gold Spare Screw

DM 1/2 Standard Hexagonal Driver



Pilastro per Overdenture - Titanio Gr. 5 - PVD TiN

Overdenture Abutment - Titanium Gr. 5 - PVD TiN

IP 4BA1-W H 1 mm - **CPS** Standard Gingival Profile - NORMO

IP 4BA2-W H 2 mm - **CPS** Standard Gingival Profile - NORMO

IP 4BA3-W H 3 mm - **CPS** Standard Gingival Profile - NORMO

IP 4BA4-W H 4 mm - **CPS** Standard Gingival Profile - NORMO

IP 4BA6-W H 6 mm - **CPS** Standard Gingival Profile - NORMO



Pilastro per Overdenture Equator - Titanio Gr. 5 - PVD TiN

Equator Overdenture Abutment - Titanium Gr. 5 - PVD TiN

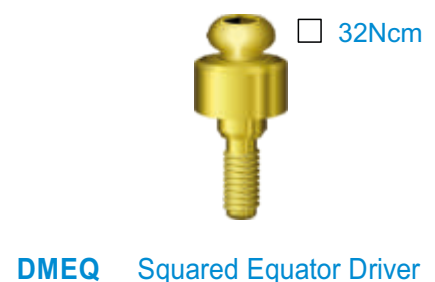
IP 4EQ1 H 1 mm - Narrow Gingival Profile

IP 4EQ2 H 2 mm - Narrow Gingival Profile

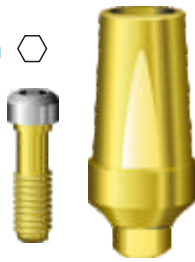
IP 4EQ3 H 3 mm - Narrow Gingival Profile

IP 4EQ4 H 4 mm - Narrow Gingival Profile

IP 4EQ5 H 5 mm - Narrow Gingival Profile



32Ncm 



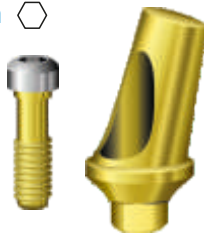
Moncone Titanio Diritto - Titanio Gr. 5 - PVD TiN

Straight Titanium Abutment - Titanium Gr. 5 - PVD TiN

IP 4ST2-W 0° - Straight - **CPS** Standard Gingival Profile

IP VITG Vite di Ricambio Gold - Gold Spare Screw
DM 1/2 [Standard Hexagonal Driver](#)

32Ncm 



Moncone Titanio Angolato - Titanio Gr. 5 - PVD TiN

Angled Titanium Abutment - Titanium Gr. 5 - PVD TiN

IP 4AT15-W 15° - Angled - **CPS** Standard Gingival Profile

IP 4AT25-W 25° - Angled - **CPS** Standard Gingival Profile

IP VITG Vite di Ricambio Gold - Gold Spare Screw
DM 1/2 [Standard Hexagonal Driver](#)

32Ncm 



Moncone Titanio Diritto VPT - Titanio Gr. 5

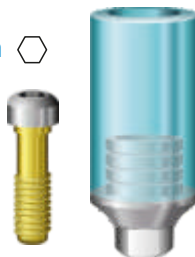
VPT Straight Titanium Abutment - Titanium Gr. 5

IP 4STV-W 0° - Straight - **CPS** Standard Gingival Profile

Vertical Preparation Technique

IP VIT Vite di Ricambio - Spare Screw
DM 1/2 [Standard Hexagonal Driver](#)

32Ncm 



Moncone UCLA Cobalto Cromo - CoCr

UCLA Abutment Cobalt Chrome - CoCr

IP 4CCA Antirotation Hex - Standard Gingival Profile

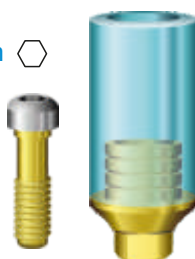
IP 4CCA-W Antirotation Hex - **CPS** Standard Gingival Profile

IP 4CCR-W Rotating Hex - **CPS** Standard Gingival Profile

Intervallo di Fusione 1350°-1430°

Espansione Termica 13,3 - 13,6 µm/(m°C) (20°-200°)

32Ncm 



Moncone Ucla Oro - Base Oro/Platino/Iridio

Ucla Gold Abutment - Gold/Platinum/Iridium Base

IP 4GA Antirotation Hex - Standard Gingival Profile

IP VITG Vite di Ricambio Gold - Gold Spare Screw
DM 1/2 [Standard Hexagonal Driver](#)

universal prosthetics

Link per Incollaggio TiB - Titanio Gr. 5

Bonding Technique Link TiB - Titanium Gr. 5

IP 4STB Link in Titanio Antirotazione - Compatibile TiB

IP 4STB-W Link in Titanio Antirotazione **CPS** - Compatibile TiB

IP VIT Vite di Ricambio - Spare Screw

DM 1/2 [Standard Hexagonal Driver](#)



Link per Incollaggio Standard - Titanio Gr. 5

Bonding Technique Standard Link - Titanium Gr. 5

IP 4SZB Link in Titanio Antirotazione - Non compatibile TiB

IP VIT Vite di Ricambio - Spare Screw

DM 1/2 [Standard Hexagonal Driver](#)



Monconi Estetici - Zirconia + Link in Titanio Gr. 5

Titanium Abutment - Zirconium + Titanium Gr. 5 Link

IP 4SZ 0° - Straight - Standard Gingival Profile

IP 4AZ15 15° - Angled - Standard Gingival Profile

IP VITG Vite di Ricambio Gold - Gold Spare Screw

DM 1/2 [Standard Hexagonal Driver](#)

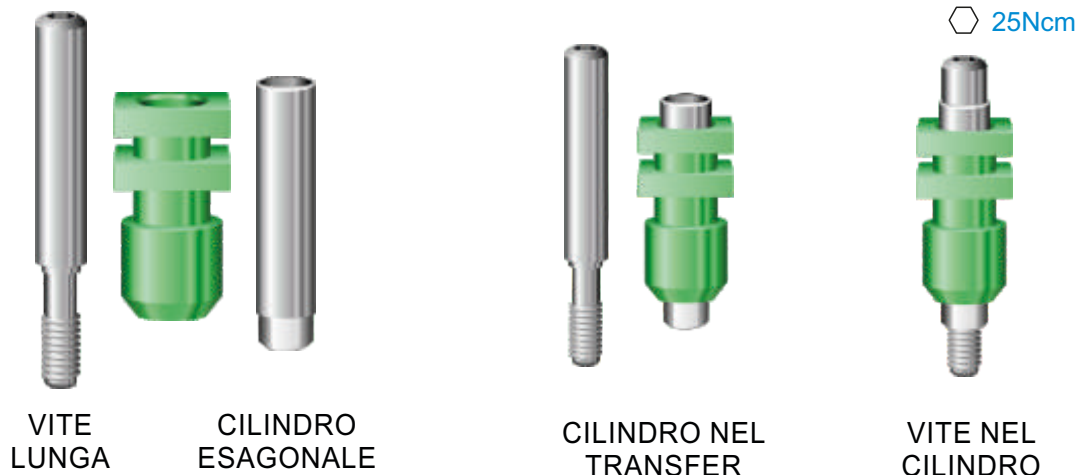


Transfer per impronta Pick Up - Titanio Gr. 5

Pick Up Impression Coping - Titanium Gr. 5

IP X40-W H 12mm - Internal Hexagon CPS

DM 1/2 [Standard Hexagonal Driver](#)



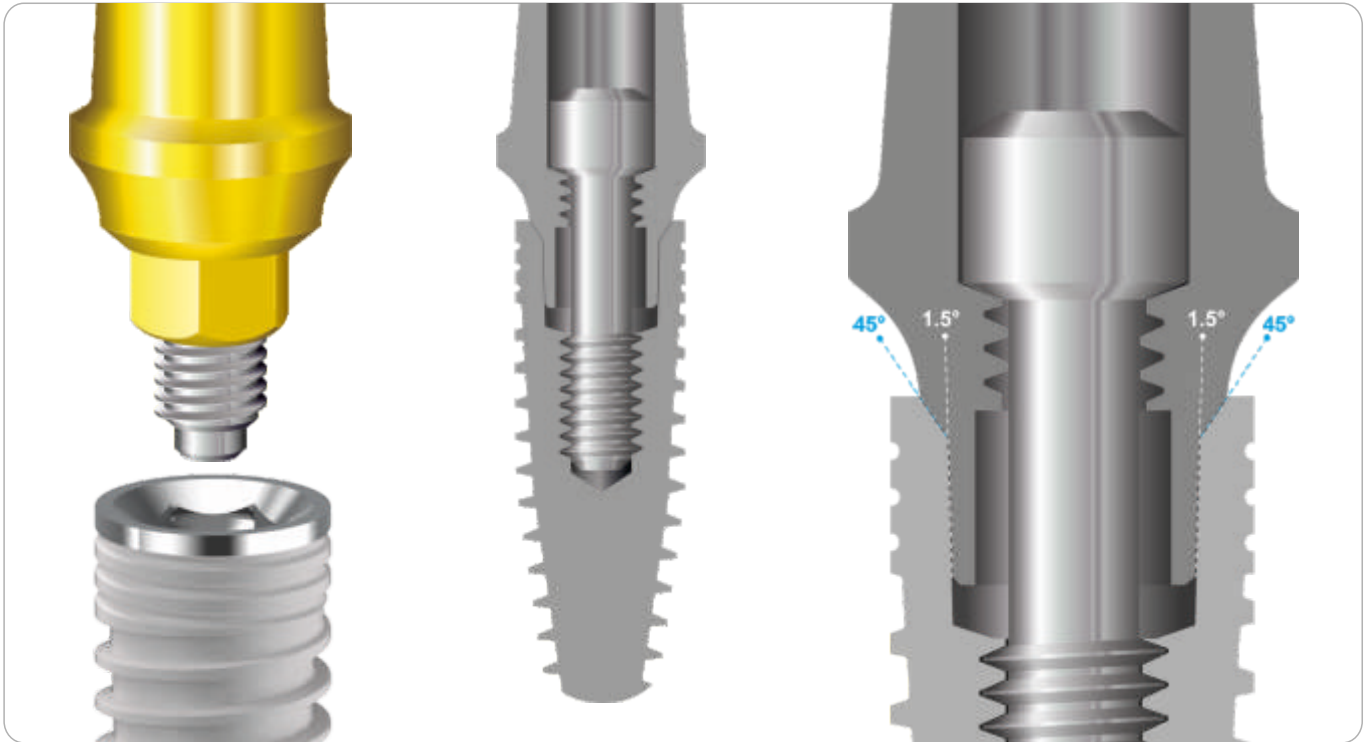
VITE LUNGA

CILINDRO ESAGONALE

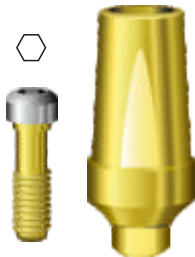
CILINDRO NEL TRANSFER

VITE NEL CILINDRO

double connection friction fit 1.5°



32Ncm



Moncone Titanio Dritto - Titanio Gr. 5 - PVD TiN

Straight Titanium Abutment - Titanium Gr. 5 - PVD TiN

IP 4ST2-WF 0° - Straight H2mm - **CPS** Friction Fit

IP 4ST3-WF 0° - Straight H3.5mm - **CPS** Friction Fit

IP 5ST2-F 0° - Straight H2mm (Large) - **FTF** Friction Fit

IP VITG

Vite di Ricambio Gold - Gold Spare Screw

DM 1/2

Standard Hexagonal Driver

32Ncm



Moncone in Titanio Angolato 15° - Titanio Gr. 5 - PVD TiN

15° Angled Titanium Abutment - Titanium Gr. 5 - PVD TiN

IP 4AT152-WF 15° Angled H2mm - **CPS** Friction Fit

IP 4AT153-WF 15° Angled H3mm - **CPS** Friction Fit

IP 5ST152-F 15° - Angled H2mm (Large) - **FTF** Friction Fit

IP VITG

Vite di Ricambio Gold - Gold Spare Screw

DM 1/2

Standard Hexagonal Driver

32Ncm



Moncone in Titanio Angolato 25° - Titanio Gr. 5 - PVD TiN

25° Angled Titanium Abutment - Titanium Gr. 5 - PVD TiN

IP 4AT252-WF 25° Angled H2mm - **CPS** Friction Fit

IP 4AT253-WF 25° Angled H3mm - **CPS** Friction Fit

IP 5ST252-F 25° - Angled H2mm (Large) - **FTF** Friction Fit

IP VITG

Vite di Ricambio Gold - Gold Spare Screw

DM 1/2

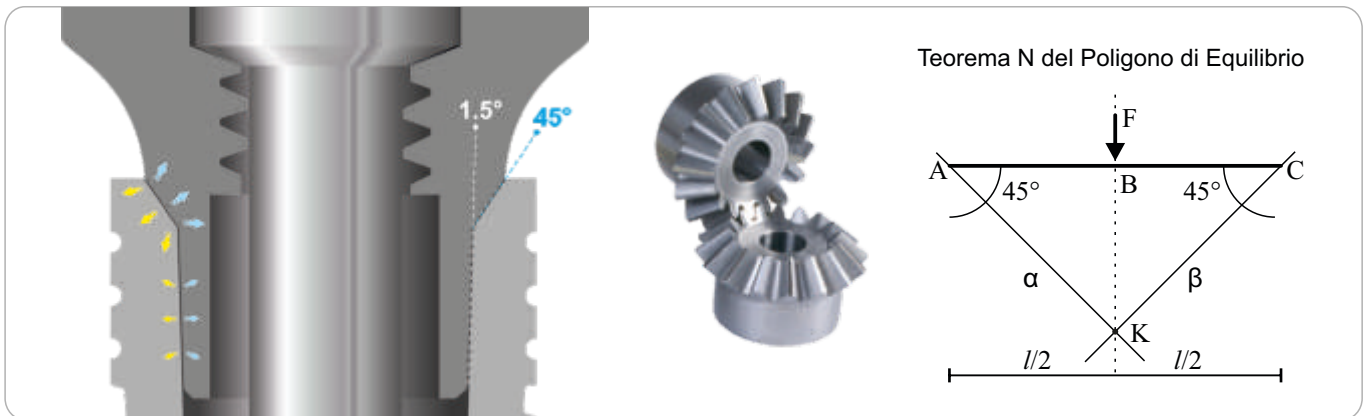
Standard Hexagonal Driver

double connection friction fit 1.5°

CHIUSURA A SPALLA CONICA 45°

L'appoggio protesico interno a 45°, già utilizzato nelle connessioni interne tipo Zimmer dagli anni 90, oltre ad avere un supporto bibliografico indiscutibile, garantisce la distribuzione delle forze vettoriali che minimizzano il momento flettente laterale.

Questa tipologia di appoggio conico, normalmente utilizzata nella meccanica di distribuzione, rispetto ad uno piano, incrementa la superficie di contatto e scarica le forze su una curva di vettori multi-direzionali.



CONNESSIONE ESAGONALE CONICA FRICTION FIT 1.5°

La conicità di 1.5° sulle pareti piane dell'esagono maschio/femmina determina una riduzione dell'interfaccia meccanica così intima da conferire un grippaggio diretto, conosciuto come «saldatura a freddo», tra abutment ed impianto.

Questo effetto si attiva completamente alla fine del serraggio protesico della vite passante, raggiungendo i 30 Ncm di forza torcente che garantisce il sigillo batterico riducendo a zero il gap di interfaccia.

Per la rimozione dell'abutment sarà necessario l'utilizzo di una vite di rimozione alternativa, da avvitare in sostituzione di quella originale, con la sola funzione di spingere dall'interno verticalmente il moncone e rimuoverlo dalla sua posizione grippata.



45° CONICAL SHOULDER CLOSURE

The 45° internal prosthetic support, already used in internal Zimmer type connections since the 90s, has an indisputable bibliography and moreover guarantees the distribution of vector forces that minimize the lateral bending moment.

This type of conical support, normally used in the distribution mechanics, increases the contact surface in relation to a plane surface and releases the forces on a curve of multi-directional vectors.

FRICTION FIT 1.5° CONICAL HEX CONNECTION

The 1.5° conicity on the flat surfaces of the male / female hexagon causes a so close reduction of the mechanical interface that confers a direct binding (known as "cold welding") between the abutment and the implant.

This effect is fully activated at the end of the prosthetic tightening of the passing screw, that reaches 30 Ncm of torque and guarantees a bacterial seal through the reduction of the interface gap to zero.

In order to remove the abutment it will be necessary to use an alternative removal screw, that needs to be screwed in the original one place: its unique function is to push the abutment from the inside vertically and to remove it from its bound position.

Transfer per Impronta Digitale - Titanio Gr. 5 + MS
Scan Abutment - Titanium Gr. 5 + Micro Sandblasting

25Ncm 

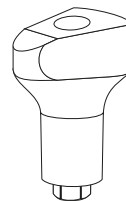


IP 4SA DS Antirotation Hex - **Narrow** Gingival Profile

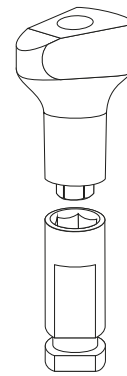
DM 1/2 Standard Hexagonal Driver



Scansione



Matematiche



Matching delle Matematiche

Link Base per Incollaggio - Titanio Gr. 5

Bonding Technique Base Link - Titanium Gr. 5

32Ncm 



← H 3
 ← H 2
 ← H 1

IP 4TB DS Antirotation Hex - Adjustable in 3 heights

H1 = 4.0mm - H2 = 5.5mm - H3 = 7.0mm

IP VITG Vite di Ricambio Gold - Gold Spare Screw

DM 1/2 Standard Hexagonal Driver

Link Base per Incollaggio - Titanio Gr. 5

Bonding Technique Base Link - Titanium Gr. 5

32Ncm 



← H 3
 ← H 2
 ← H 1

IP 4TBR DS Rotating - Adjustable in 3 heights

H1 = 4.0mm - H2 = 5.5mm - H3 = 7.0mm

IP VITG Vite di Ricambio Gold - Gold Spare Screw

DM 1/2 Standard Hexagonal Driver

Analogo per Laboratorio - Titanio Gr. 5

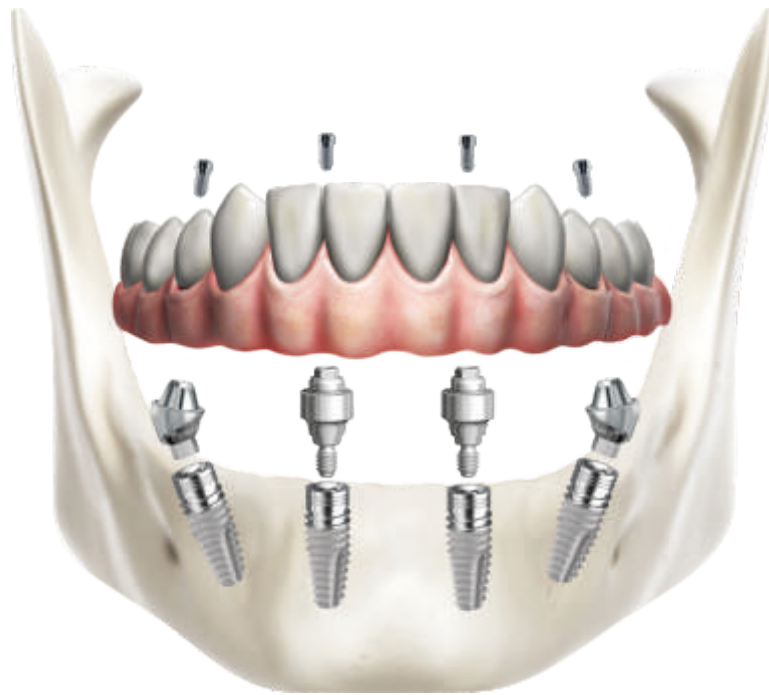
Laboratory Analog - Titanium Gr. 5



IP 4AL DS H 10 mm - Ø 4 Universal Shape

IP 5AL DS H 10 mm - Ø 5 Universal Shape

toronto universal prosthetics



Pilastro Toronto Dritto - Titanio Gr. 5

Toronto Straight Abutment - Titanium Gr. 5

- IP MS1-W** H 1 mm - **CPS** Standard Gingival Profile
- IP MS2-W** H 2 mm - **CPS** Standard Gingival Profile
- IP MS3-W** H 3 mm - **CPS** Standard Gingival Profile

DCDM Toronto Straight Abutment Driver



Pilastro Toronto Angolato 17° - Titanio Gr. 5

17° Toronto Angled Abutment - Titanium Gr. 5

- IP MA172-W** 17° - H 2 mm - **CPS** Standard Gingival Profile
- IP MA173-W** 17° - H 3 mm - **CPS** Standard Gingival Profile

IP VITMA Vite di Ricambio Toronto - Toronto Spare Screw

DMX 1/2 Toronto Abutment Torx Driver



Pilastro Toronto Angolato 30° - Titanio Gr. 5

30° Toronto Angled Abutment - Titanium Gr. 5

- IP MA303-W** 30° - H 3 mm - **CPS** Standard Gingival Profile
- IP MA304-W** 30° - H 4 mm - **CPS** Standard Gingival Profile
- IP MA305-W** 30° - H 5 mm - **CPS** Standard Gingival Profile

IP VITMA Vite di Ricambio Toronto - Toronto Spare Screw

DMX 1/2 Toronto Abutment Torx Driver





Pilastro Temporaneo Toronto - Titanio Gr. 5

Toronto Temporary Abutment - Titanium Gr. 5

EP MT Rotating - Bonding Technique - Incollaggio Passivo

EP MV Vite di Ricambio Toronto - Toronto Spare Screw

DMX 1/2 Toronto Abutment Torx Driver



Pilastro Temporaneo Toronto - Titanio Gr. 5

Toronto Temporary Abutment - Titanium Gr. 5

EP MT-S Rotating - Welding Technique - Saldatura Intraorale

EP MV Vite di Ricambio Toronto - Toronto Spare Screw

DMX 1/2 Toronto Abutment Torx Driver



Pilastro Calcinabile Toronto - Acrilico

Toronto Castable Abutment - Acrylic

EP MC Rotating - Standard Gingival Profile

EP MV Vite di Ricambio Toronto - Toronto Spare Screw

DMX 1/2 Toronto Abutment Torx Driver



Pilastro di Guarigione Toronto - PE

Toronto Healing Abutment - PE

EP MHA H 4 mm - Standard Gingival Profile

EP MHA6 H 6 mm - Standard Gingival Profile

DMX 1/2 Toronto Abutment Torx Driver



Transfer Toronto - Titanio Gr. 5

Toronto Impression Coping - Titanium Gr. 5

EP MI Rotating - Standard Gingival Profile

EP MVL Vite di Ricambio Toronto L - Toronto L Spare Screw

DMX 1/2 Toronto Abutment Torx Driver

toronto universal prosthetics

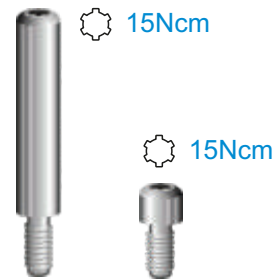
Viti di Ricambio Toronto - Titanio Gr. 5

Toronto Spare Screws - Titanium Gr. 5

EP MV Prosthetic Spare Screw

EP MVL Impression Spare Screw

DMX 1/2 Toronto Abutment Torx Driver



Analogo Toronto - Titanio Gr. 5

Toronto Analog - Titanium Gr. 5

EP MAL H 10 mm - Universal Shape



CPS Cover Screw - Potenza GBR e GTR

GTR - Incremento di gengiva aderente



GBR - Recupero facilitato della Cover Screw



Vite Chirurgica di Copertura CPS - Titanio Gr. 4

CPS Cover Screw - Titanium Gr. 4

IP 4CS1 CPS Cover Screw - 1.5mm

IP 4CS3 CPS Cover Screw - 3.0mm

IP 4CS5 CPS Cover Screw - 5.0mm

DM 1/2 Standard Hexagonal Driver



15Ncm 



Transfer Toronto per Impronta Digitale - Titanio Gr. 5
Toronto Scan Abutment - Titanium Gr. 5

EP MSA DS Rotating Scan Abutment - Transfer Digitale Rotante

EP MV Vite di Ricambio Toronto - Toronto Spare Screw
DMX 1/2 Toronto Abutment Torx Driver

15Ncm 



Link Base per Incollaggio - Titanio Gr. 5
 Bonding Technique Base Link - Titanium Gr. 5

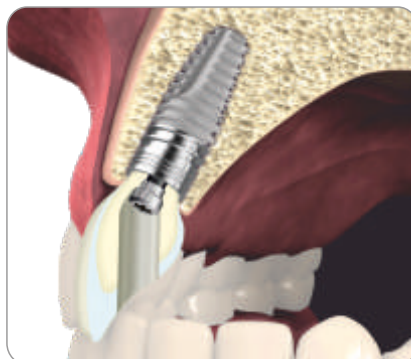
EP MT DS Rotating - Bonding Technique - Incollaggio Passivo

EP MV Vite di Ricambio Toronto - Toronto Spare Screw
DMX 1/2 Toronto Abutment Torx Driver



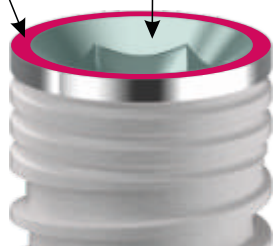
Analogo Toronto per Laboratorio - Titanio Gr. 5
Laboratory Toronto Analog - Titanium Gr. 5

EP MAL DS Universal Toronto Analog



CPS Conical Platform Switching

- 1 PIANA - flat to flat
- 2 CONICA 45°



CONNESSIONE CPS RESISTA

La connessione esagonale interna CPS prevede un doppia possibilità di protesizzazione che meglio si adatta alle differenti scuole di pensiero protesico.

- 1 La piattaforma esterna piana (flat to flat) è ideale per le soluzioni protesiche multi-impianto solidarizzate ed avvitate (tipo Toronto).
- 2 La piattaforma interna conica 45° (platform switching) è ideale per le soluzioni protesiche singole avvitate testa impianto o cementate su abutment singoli/multipli (ponti e corone).

STANDARD



CPS



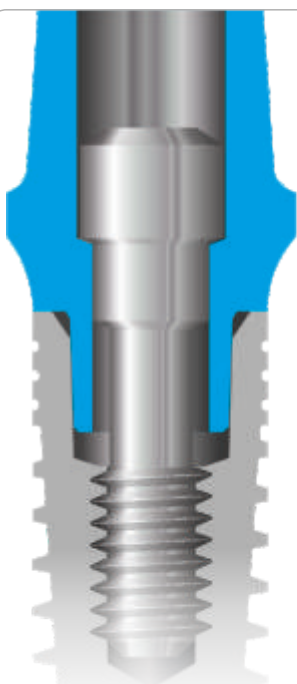
NARROW



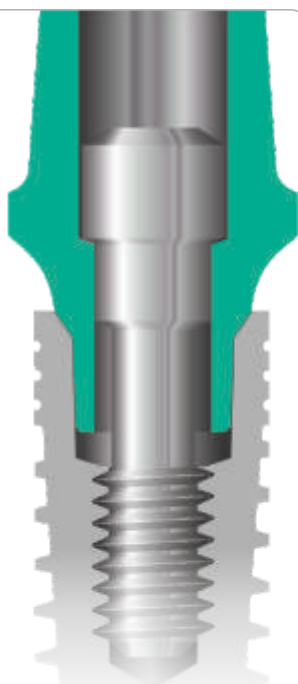
CPS
COVER SCREW



VARIANTI DI CHIUSURA PROTESICA E PROFILO EMERGENTE



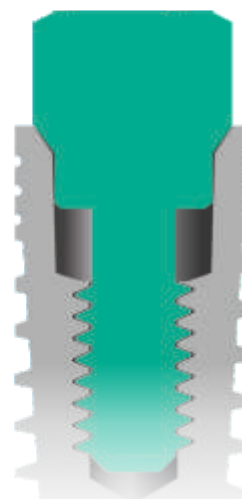
STANDARD - PIANA



CPS - CONICA



NARROW - PIANA



COVER CREW - CPS